

## ASSEMBLY INSTRUCTIONS

**IMPORTANT: READ THESE INSTRUCTIONS CAREFULLY BEFORE ATTEMPTING TO ASSEMBLE OR USE YOUR BED FRAME.**

**PLEASE KEEP THESE INSTRUCTIONS FOR FUTURE REFERENCE**

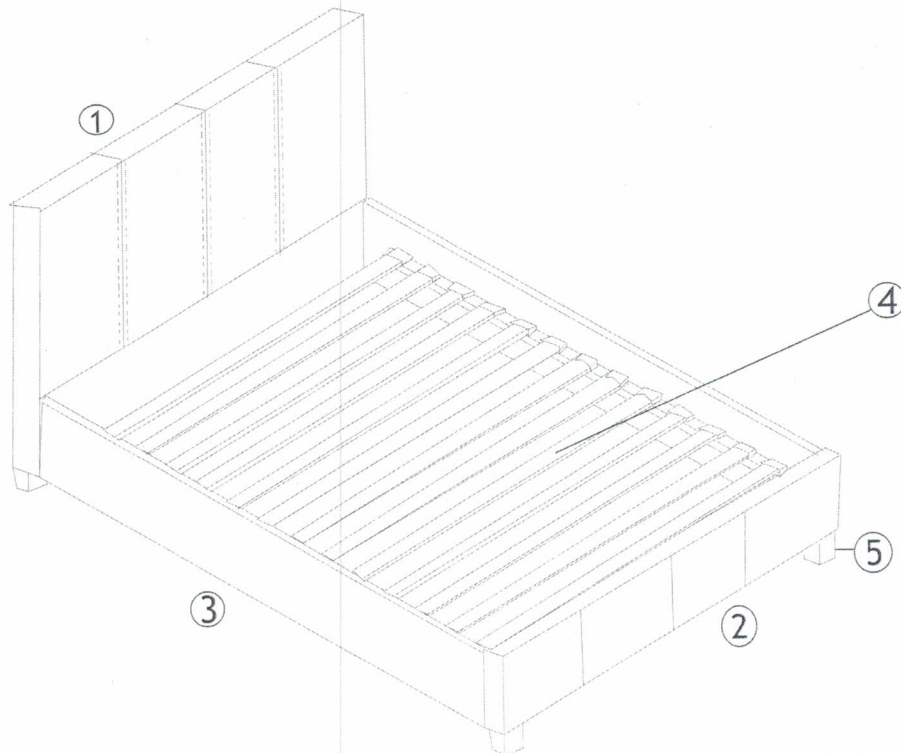
### **HEALTH & SAFETY:**








DO NOT jump on this bed frame  
DO NOT use this bed frame if any parts are missing, damaged or worn  
DO NOT use this bed frame unless all fixings are tightly secured  
Always use on a level, even surface

**WARNING: IF THIS BED FRAME IS ON A LAMINATED FLOOR YOU MUST PLACE SOME PROTECTION UNDER ALL LEGS TO STOP THE BED FRAME FROM MOVING. IF THIS IS NOT ADHERED TO THERE IS NO GUARANTEE IF THE BED FRAME COLLAPSES**

### **CARE & MAINTENANCE:**

Periodically check all screws & fixings to ensure they are tightly secured  
DO NOT push the bed frame as this will damage the legs.  
Always lift the bed with 2 people whenever you need to change the bed frames position

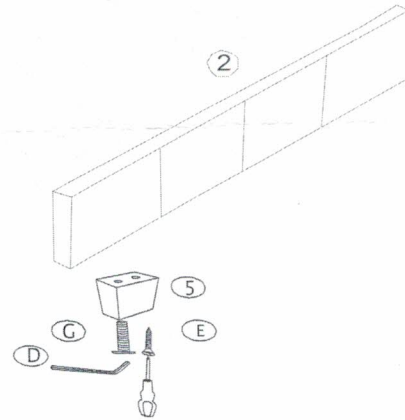
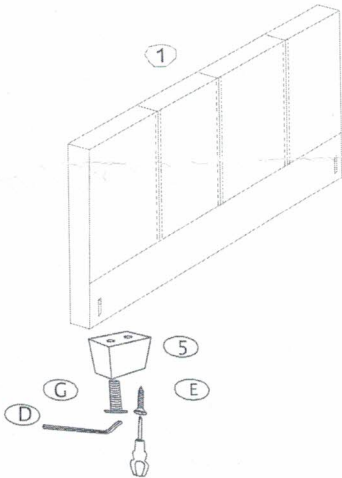


PARTS LIST			HARDWARE LIST		
No	Item	Qty	No	Item	Qty
1	Headboard	1	A	Bolts (M8 x 30mm) 	8
2	Footboard	1	B	Spring Washer 	8
3	Side Rails	2	C	Flat Washer 	8
4	Slats	13	D	M5 Allen Key 	1
5	Legs	4	E	Screws (M4 x 70mm) 	4
			F	Single Plastic Cap 	26
			G	Bolt (M8x70mm) 	4

**Step 1:**

To fix the legs (5) to the headboard (1) and footboard (2) you will need to use hardware parts E and G. You will need a screw driver (Not provided) for this step of the assembly.

**DO NOT use any power tools, this may damage the bed frame and will invalidate any claims**

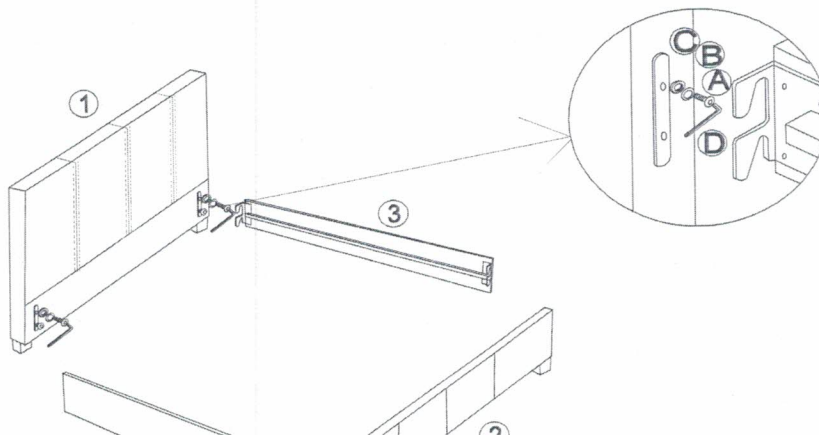


**Step 2:**

To attach the side rails (3) to the headboard (1) and the footboard (2) you will need to use hardware parts A, B and C with the M5 allen key (D)

You will need to use the M5 allen Key (D) as provided for this step of the assembly

**DO NOT use any power tools as this may damage the frame and will invalidate any claims**



**Step 3:**

Assemble the slats (4) as shown in the diagrams below then push all of the plastic cap's firmly into the side rails (3)

